

Accelerating Enterprise Applications for Major Life Insurance Provider

“We deployed the A10 ADC for our employee’s mission critical Web applications and they quickly returned on investment by allowing us to serve more customers. The A10 ADC delivers the advanced Application Delivery Controller solutions required to ensure our Web applications are highly available with consistent low latency, and always operational.”

Mr. Chen
CTO
SK Life

Founded in 1963, SK Life is the second largest insurance provider in Taiwan, with 20,000 employees. With nearly 50 years in business, SK Life’s business processes have undergone dramatic changes with the evolution of Information Technology (IT). In the early stages of its business, the focus was on customer acquisition and retention and return on investment. In addition, today’s business challenges include a government open insurance policy and various insurance package options, delivering multiple layers of complexity and creating a need for simultaneous data exchanges so that employees can quickly and effectively service clients.

To meet the requirements for simultaneous information sharing within the organization, SK Life deployed six Web application servers for its internal applications and storage. Initially, the applications ran at 5 Mbps, but after the integrated investment insurance policies took place, the need increased to 30 Mbps. Increased internal application traffic caused network latency whereby employees had to wait to get online and collect client and program information, and as a result business opportunities were lost.

Upon research, SK Life learned that network congestion could be resolved with an advanced Application Delivery Controller (ADC), and contacted A10 Networks to evaluate its award-winning ADCs. Upon deploying the A10 ADC, SK Life immediately realized the benefits and made the purchase.

A10 ADC: Advanced Application Delivery Controller

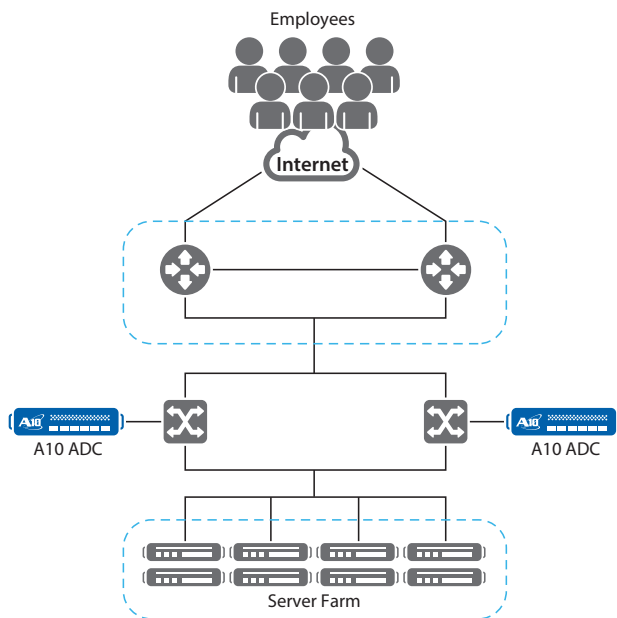
SK Life deployed the A10 ADC in a High Availability (HA), or dual system, pair for redundancy, with a two tier server load balancing solution. The first tier is an HTTP load balancing service for the employees to access the Web application servers. The second tier is a database server load balancing service from the Web application servers to the database servers. For both tiers, the A10 ADC delivers full Layer 4-7 application delivery services to ensure that the internal Web applications are always available and reliable with high-performance, especially during peak usage conditions.

The A10 ADC provides the industry's state-of-the-art new generation architecture that consistently outperforms the competition, ultimately providing a faster and better experience to the end user. Advanced ADC features including Web caching (static and dynamic), compression, SSL offload, connection re-use and other application acceleration features are included without additional licensing fees, guaranteeing performance on demand, when needed, without further expenditure. The A10 ADCs' HA sub-second failover ensures maximum uptime for a seamless end user experience.

Success: Faster Applications Equals Increased Business

Upon deployment, the A10 ADC manages SK Life's application traffic so that there is no longer network congestion or latency. As a result, employees do not have to wait to access the online applications for client and program information, which allows them to close more business than before the A10 ADC solution was installed. With the A10 ADC, SK Life adapted to changing business requirements, gained a competitive edge and increased its fiscal success.

SK Life's Network



About A10 Application Delivery Controllers

A10 ADC is a scalable, high-performance application networking platform that delivers enterprises, web properties and Internet Service Providers (ISPs) with superior reliability and an energy-efficient footprint for low total cost of ownership (TCO). With A10 ADC, customers of all sizes benefit from application availability, scalability and performance, increased infrastructure efficiency and a faster end user experience. The A10 ADC has a comprehensive Layer 4-7 feature set and flexible virtualization technologies such as A10 Networks aVCS™ Virtual Chassis System, multi-tenancy and more for public, private and hybrid cloud environments. In addition, A10 leads in IPv6 migration technologies with many large-scale deployments worldwide.

A10 ADC delivers an industry-leading return on investment (ROI) by leveraging A10's 64-bit Advanced Core Operating System (ACOS), with a scalable shared-memory parallelism architecture that surpasses the competition in scalability and flexibility.

For more information, visit: www.a10networks.com/products/application_delivery_controllers.php

About A10 Networks

A10 Networks is a leader in application networking, providing a range of high-performance application networking solutions that help organizations ensure that their data center applications and networks remain highly available, accelerated and secure. Founded in 2004, A10 Networks is based in San Jose, California, and serves customers globally with offices worldwide. For more information, visit: www.a10networks.com

Corporate Headquarters

A10 Networks, Inc
 3 West Plumeria Ave.
 San Jose, CA 95134 USA
 Tel: +1 408 325-8668
 Fax: +1 408 325-8666
www.a10networks.com

Worldwide Offices

North America
sales@a10networks.com
Europe
emea_sales@a10networks.com
South America
latam_sales@a10networks.com
Japan
jinfo@a10networks.com
China
china_sales@a10networks.com

Taiwan
taiwan@a10networks.com
Korea
korea@a10networks.com
Hong Kong
HongKong@a10networks.com
South Asia
SouthAsia@a10networks.com
Australia/New Zealand
anz_sales@a10networks.com

To learn more about the A10 Thunder Application Service Gateways and how it can enhance your business, contact A10 Networks at: www.a10networks.com/contact or call to talk to an A10 sales representative.

Part Number: A10-CS-80152-EN-01
 Mar 2015